

CHEMTAI SELF-PRIMING PUMP CT SERIES

A NEW LEVEL OF PUMP PERFORMANCE

Expanded field of application owing
to improved corrosion resistance.



CHEMICAL INDUSTRY



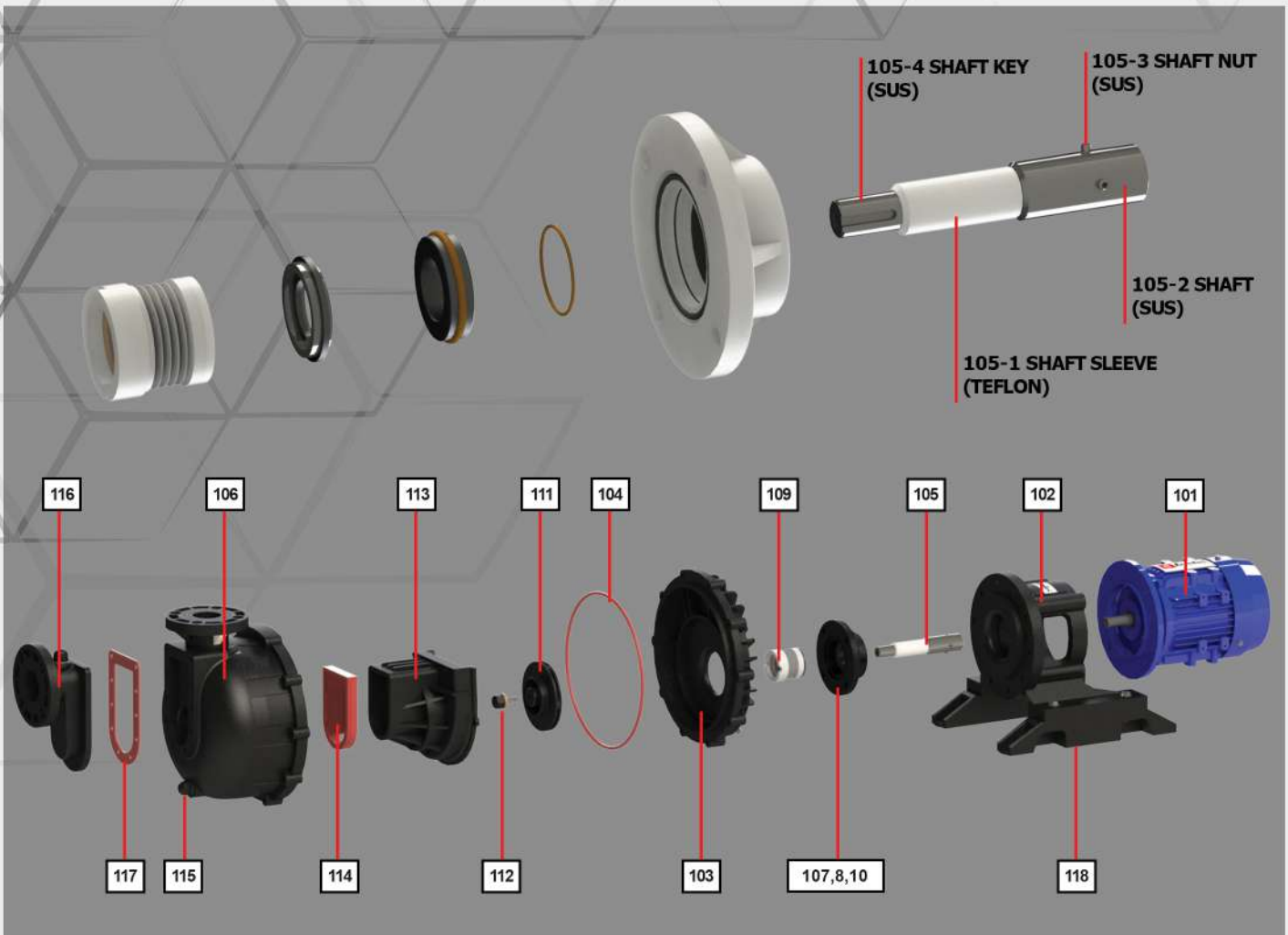
POLLUTION PROCESS



SEMICONDUCTOR

CT SERIES

SELF-PRIMING CHEMICAL PUMP



No.	Description	Materail
101	Motor	
102	Base Frame	FRPP
103	Rear Cover	FRPP , CFRPP , PVDF
104	Rear Cover O-Ring	EPDM , VITON
105	Shaft	SUS
106	Main Body	FRPP , CFRPP , PVDF
107,8,10	Seal Cover Ring And O-ring	FRPP , CFRPP , PVDF / EPDM , VITON
109	Front Seal	TEFLON
111	Impeller	FRPP , CFRPP , PVDF
112	Impeller Nut	FRPP , CFRPP , PVDF
113	Check Cover	FRPP , CFRPP , PVDF
114	Check Valve	EPDM , VITON , TEFLON
115	Water Filling Cap And O-Ring	FRPP , CFRPP , PVDF / EPDM , VITON
116	Self-Priming Barrel	FRPP , CFRPP , PVDF
117	Self-Priming Packing	EPDM , VITON
118	Frame	FRPP

A combination of theorem and extensive experience.

CT SERIES

SELF-PRIMING CHEMICAL PUMP



CT SERIES : MODEL IDENTIFICATION

1
 2
 3
 4
 5
 6
 7
 8
 9
 10

CT - 40 02 2 E A H - C C H

1	MODEL/MATERIAL	:	CT-FRPP	CTC-CFRPP	CTP-PVDF
2	INLET-OUTLET	:	40-40x40mm.	50-50x50mm.	75-80x80mm.
3	POWER	:	01-1HP 02-2HP	03-3HP 05-5HP	07-7HP 10-10HP
4	POLE	:	2-2P 4-4P		
5	RUBBER MATERAIL	:	E-EPDM V-VITON		
6	CHECK-VALVE	:	A- WITH CHECK-VALVE (INLET HIGHER THAN LIQUID LEVEL)		
		:	B- NON CHECK-VALVE (INLET LOWER THAN LIQUID LEVEL)		
7	LOW/HIGH HEAD	:	L-LOW HEAD	H-HIGH HEAD	
8	STATIONARY RING	:	C-CERAMIC	S-SIC	
9	ROTATIONAL RING	:	C-CARBON	S-SIC	
10	SPRING	:	H-HASTELLOY-C	S-SUS316	

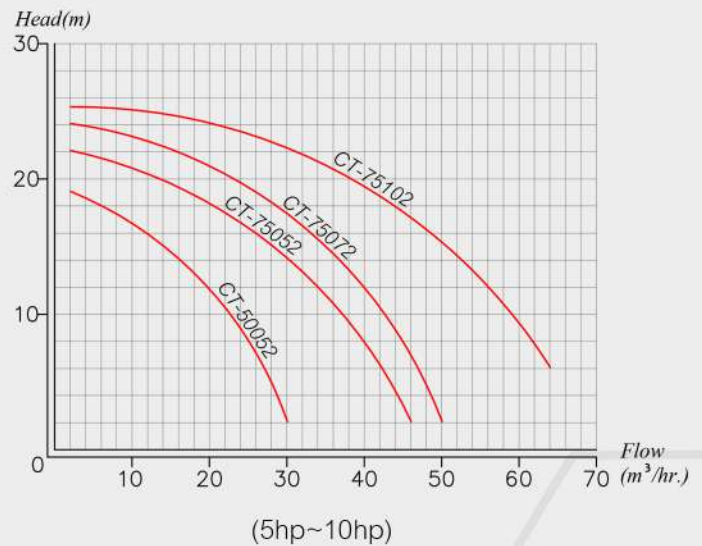
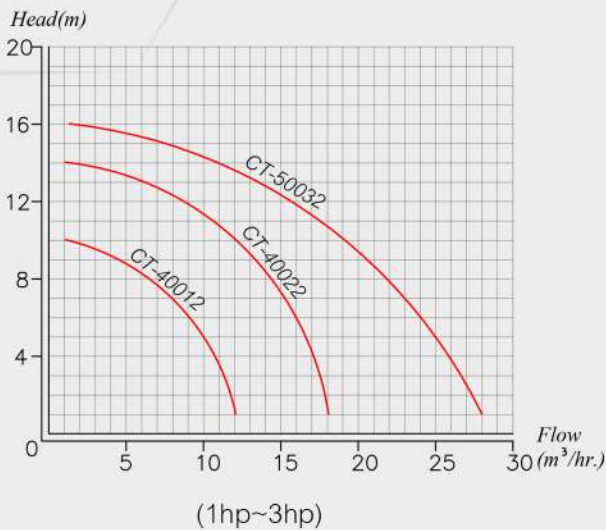
SPECIFICATIONS

SELF-PRIMING CHEMICAL PUMP
(CLOSE IMPELLER)



CT-SERIES

Performance curve (Close Impeller)



CT-SERIES

Specifications (Close Impeller)

Model	Standard size		Max. Capacity (m³/hr.)	Max. Head (m.)	Standard Duty Point		Motor P2 (kW.)	Weight (kg.)
	Inlet(mm.)	Outlet(mm.)			Capacity (m³/hr.)	Head (m.)		
CT-40012	40	40	12.0	10.0	9.0	6.0	0.75	26.0
CT-40022	40	40	18.0	14.0	14.0	10.0	1.5	30.0
CT-50032	50	50	27.0	16.0	16.0	12.0	2.2	42.0
CT-50052	50	50	30.0	19.0	19.0	14.0	4.0	54.0
CT-75052	80	80	46.0	22.0	22.0	16.0	4.0	54.0
CT-75072	80	80	50.0	23.0	23.0	18.0	5.5	60.5
CT-75102	80	80	54.0	25.0	25.0	18.5	7.5	65.0

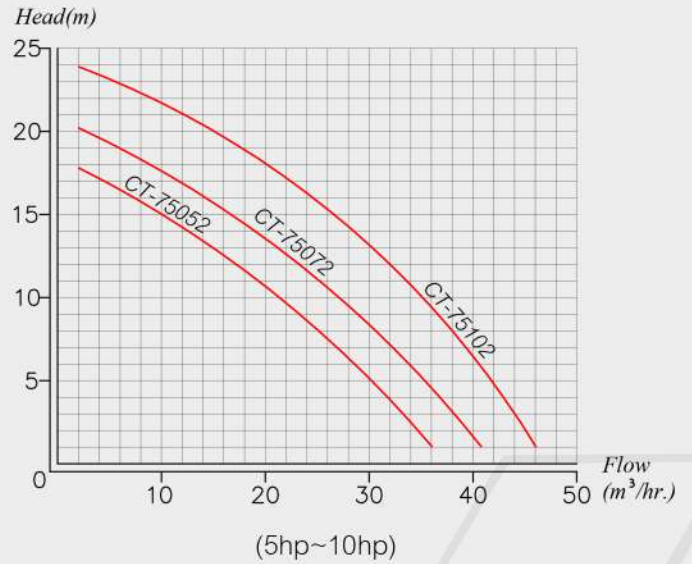
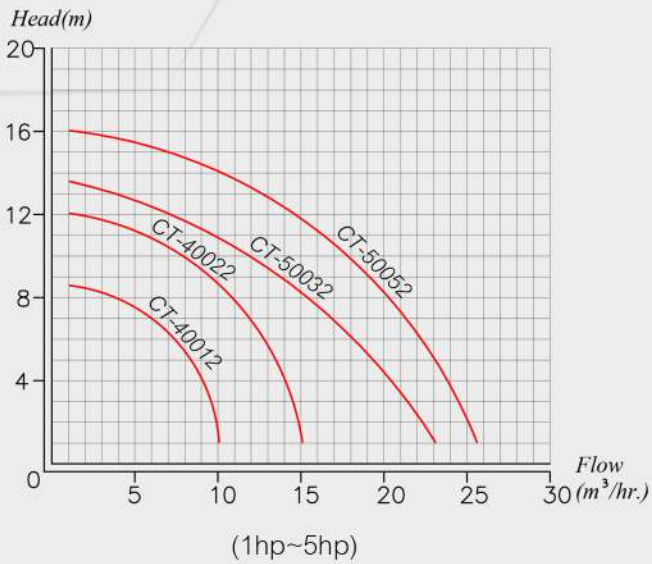
SPECIFICATIONS

SELF-PRIMING CHEMICAL PUMP
(OPEN IMPELLER)



CT-SERIES

Performance curve (Open Impeller)

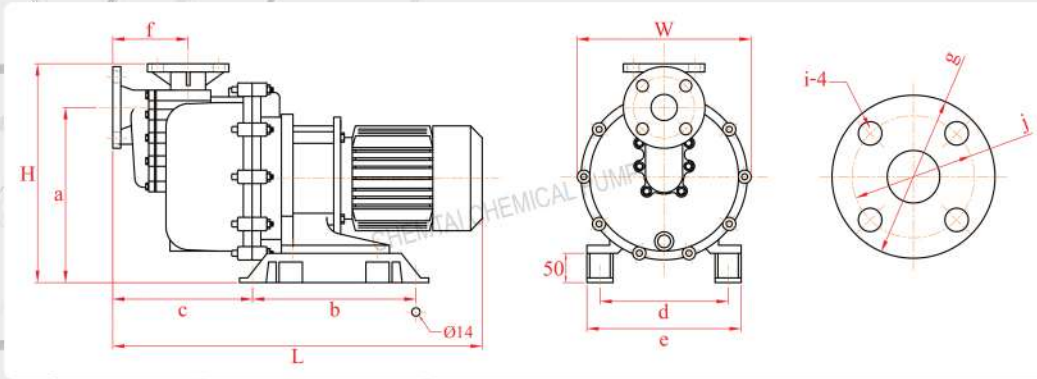


CT-SERIES

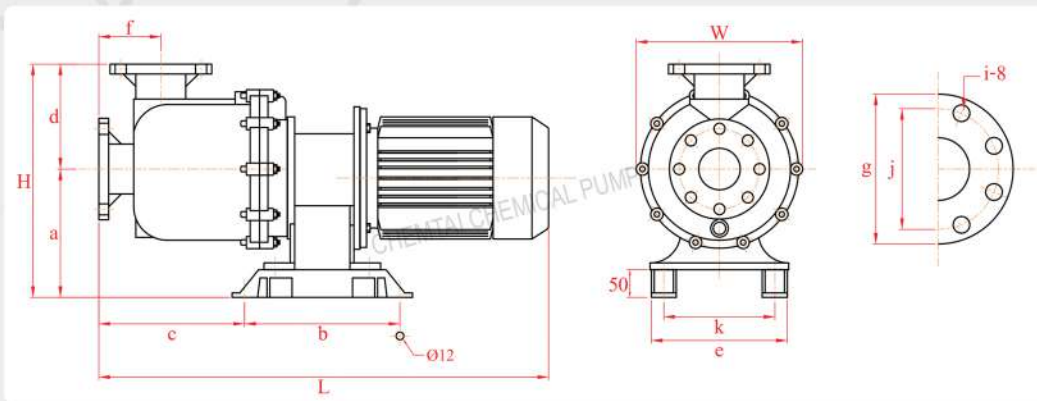
Specifications (Open Impeller)

Model	Standard size		Max. Capacity (m³/hr.)	Max. Head (m.)	Standard Duty Point		Motor P2 (kW.)	Weight (kg.)
	Inlet(mm.)	Outlet(mm.)			Capacity (m³/hr.)	Head (m.)		
CT-40012	40	40	10.0	8.5	7.7	5.0	0.75	26.0
CT-40022	40	40	15.5	12.0	12.0	8.5	1.5	30.0
CT-50032	50	50	23.0	13.5	13.5	10.0	2.2	42.0
CT-50052	50	50	25.5	16.0	14.5	12.0	4.0	54.0
CT-75052	80	80	37.0	18.0	25.5	13.5	4.0	54.0
CT-75072	80	80	21.0	21.0	29.0	15.0	5.5	60.5
CT-75102	80	80	24.0	24.0	34.0	16.0	7.5	65.0

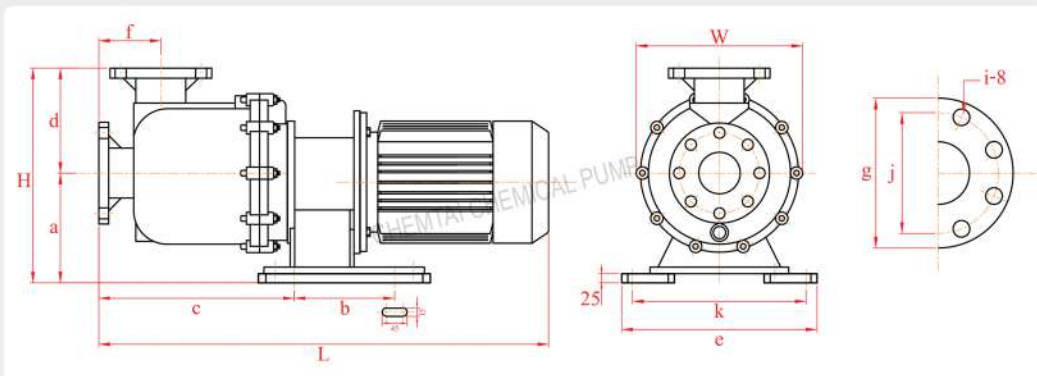
CT-40012 / CT-40022 / CT-50032 / CT-50052



CT-75052

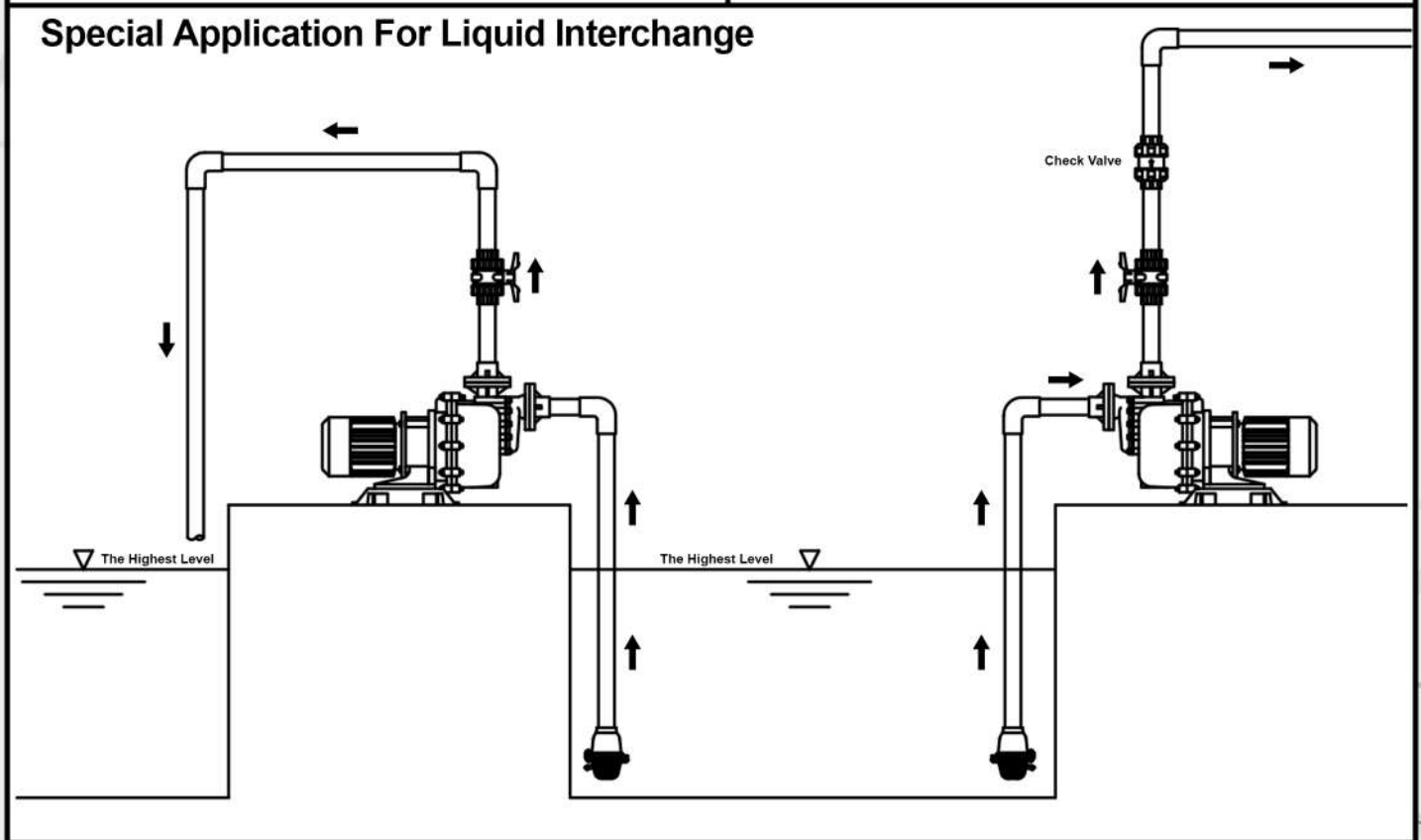
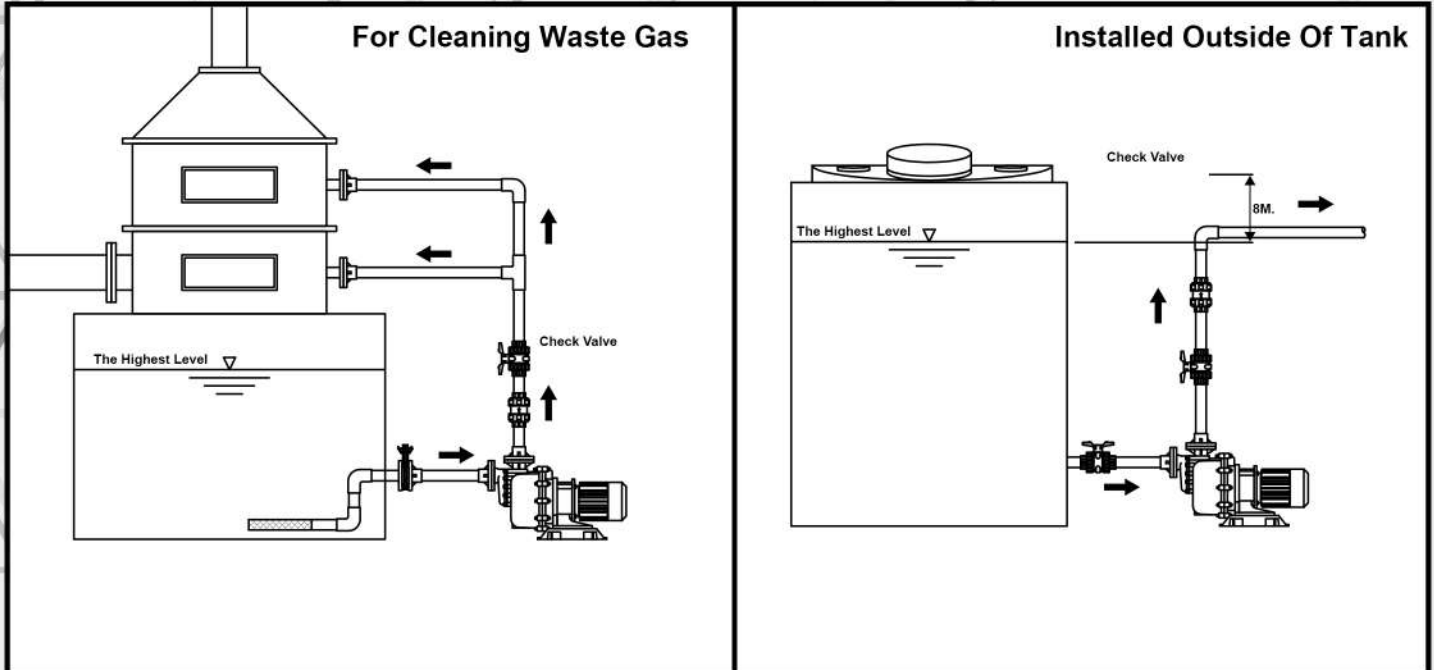


CT-75072 / CT-75102



MODEL	W	H	L	in(mm.)	out(mm.)	a	b	c	d	e	f	g	i	j
CT-40012	295	370	656	40	40	298	275	269	208	253	130	Ø140	Ø19	Ø105
CT-40022	295	370	665	40	40	298	275	269	208	253	130	Ø140	Ø19	Ø105
CT-50032	295	370	665	50	50	298	275	269	208	253	130	Ø155	Ø19	Ø120
CT-50052	295	370	790	50	50	298	275	269	208	253	130	Ø140	Ø19	Ø105
CT-75052	300	404	793	75	75	216	275	300	188	261	113	Ø188	Ø19	Ø150
CT-75072	300	414	859	75	75	226	181	389	188	370	113	Ø188	Ø19	Ø150
CT-75102	300	414	859	75	75	226	181	389	188	370	113	Ø188	Ø19	Ø150

PUMP APPLICATION EXAMPLES



TRYPICAL APPLICATIONS

- Chemical Industry
- Waste Water Treatment Industry
- Pulp And Paper Making Industry
- Textile Industry
- Pharmaceutical Industry
- Drying Industry
- PCB And Electronic Industry
- Plating Industry

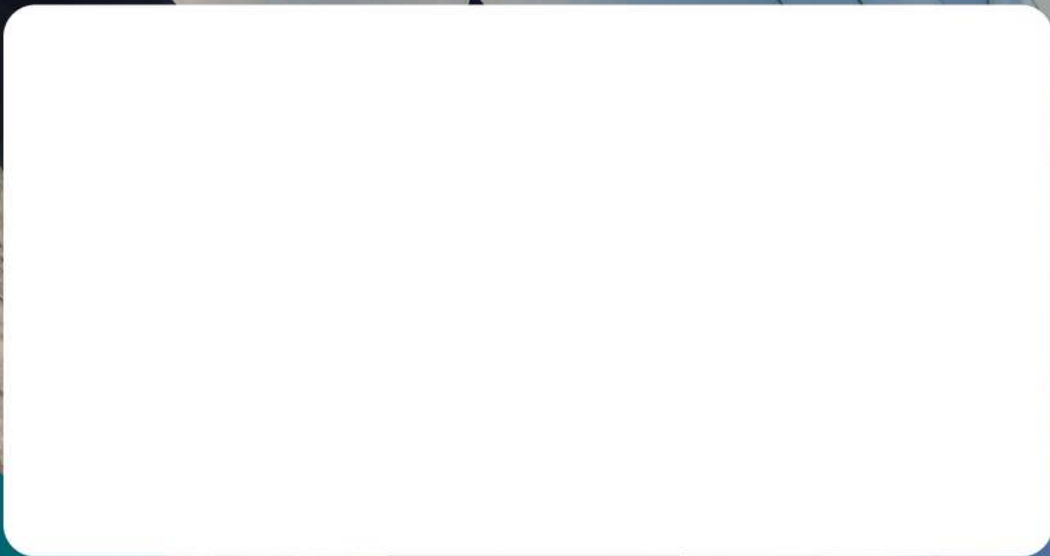
CORROSION RESISTANCE CHART

Chemical Solution Name	Concentration %	Temperature °C	Body Material			Seal Material			Rubber Material			
			FRPP	CPVC	PVDF / GFR ETFE	Ceramic	Carbon	Sic	NBR	EPDM	VITON	
H₂SO₄ Sulfuric acid	30	40	×	●	●	●	●	●	●	●	●	
		60	×	●	●	●	●	●	●	●	●	
		80	×	○	●	●	●	●	●	○	●	
		95			●	●	●	●	●		●	●
	60	40	×	●	●	●	●	●	●	●	●	●
		60	×	●	●	●	●	●	●	●	●	●
		80	×	△	●	●	●	●	●	○	●	●
	98	40	×	○	●	●	●	●	●	●	●	●
		60	×	△	○	●	●	●	●	●	●	●
	HCL Hydrochloric acid	25	40	●	●	●	○	●	●	●	●	●
			60	○	○	●	●	●	●	●	●	●
			80			●	●	●	●	●	○	●
35		40	●	●	●	●	●	●	●	○	○	
		60	○	○	●	●	●	●	●	●	●	
		80			●	●	●	●	●	●	●	
CrO₃ Chromic acid	20	40	×	○	●	●	●	●	●	●	●	
		60		△	●	●	●	●	●	●	●	
		80			●	●	●	●	●	●	○	
HNO₃ Nitric acid	30	40	○	○	●	●	○	●	●	●	●	
		60	×	△	●	●	○	●	●	●	●	
		80	×	×	●	●	○	●	●	●	●	
	50	40	△	○	●	●	○	●	●	●	●	
60		×	△	●	●	○	●	●	●	●		
H₃PO₄ Phosphoric acid	10	40	●	●	●	●	●	●	●	●	●	
		60	●	●	●	●	●	●	○	●	●	
		80	○	○	●	●	●	●	●	○	●	
	50	40	●	●	●	●	●	●	●	●	●	
		60	●	○	●	●	●	●	●	○	●	
		80	△	△	●	○	●	●	●	○	●	
NaOCl Sodium Hypochlorite	10	40	○	●	●	●	○	●	●	●	●	
		60	○	○	●	●	△	●	●	●	●	
		80	△		●	●	×	●	●	●	●	
CH₃COOH Acetic acid	20	40	●	●	●	●	●	●	●	●	×	
		60	●	○	●	●	●	●	●	●	×	
		80	○	△	●	●	●	●	●	●	×	
HF Hydrofluoric	30	40	×	○	●	×	○	●	●	●	●	
		60	×	△	●	×	○	●	●	●	●	
		80	×	×	●	×	○	●	●	○	●	
HNO₃ + HCl Aqua regia	3:1	40	×	△	●	●	×	●	●	×	○	
		60	×	×	●	○	×	●	●	×	○	
		80	×	×	●	●	×	●	●	×	●	
H₂O₂ Hydrogen Peroxide	20	40	●	●	●	●	×	●	●	×	●	
		60	●	○	●	●	×	●	●	×	●	
		80	○	○	●	●	×	●	●	×	●	
NaOH Sodium Hydroxide	45	40	●	○	●	●	×	●	●	●	○	
		60	○	△	○	●	×	●	●	●	△	
		80	○	×	×	●	×	●	○	○	△	
FeCl₃ Ferric chloride	40	40	●	●	●	●	●	●	●	●	●	
		60	●	●	●	●	●	●	○	●	●	
		80	●	●	●	●	●	●	●	●	●	
Cu(CN)₂ Copper Cyanide		40	●	●	●	△	●	●	●	●	●	
		60	●	●	●	△	●	●	●	●	●	
ZnCl₂ Zinc Chloride		40	●	●	●	●	●	●	●	●	●	
		60	●	●	●	●	●	●	●	●	●	
NiSO₄ Nickel Sulfate		40	●	●	●	●	●	●	●	●	●	
		60	●	●	●	●	●	●	●	●	●	

● : Excellent ○ : Good △ : Not Good × : Bad



SELF-PRIMING CHEMICAL PUMP
2022



A new level of pump performance.

SELF-PRIMING CHEMICAL PUMP

Expanded field of application owing to improved corrosion resistance.