

CHEMTAI
VERTICAL CHEMICAL PUMP
MODEL : CTV SERIES

A NEW LEVEL OF PUMP PERFORMANCE

Expanded field of application owing to improved corrosion resistance.



CHEMICAL INDUSTRY



POLLUTION PROCESS



SEMICONDUCTOR



Inside
Vertical Chemical Pump
[CTV SERIES]



Product Specifications

Model	Standard Size		Max Capacity (L/min.)	Max Head (m.)	Horse Power (HP)
	Inlet(mm.)	Outlet(mm.)			
CTV-25SK-1/2	25	25	165	13	1/2
CTV-25SK-1	25	25	215	15	1
CTV-40SK-1	40	40	250	15	1
CTV-40SK-2	40	40	415	22	2
CTV-50SK-2	50	50	465	20	2
CTV-50SK-3	50	50	500	22	3
CTV-65SK-3	65	65	580	20	3
CTV-65SK-5	65	65	650	22	5
CTV-80SK-5	80	80	760	20	5
CTV-80SK-7.5	80	80	900	30	7.5
CTV-80SK-10	80	80	1000	30	10
CTV-100SK-7.5	100	100	1580	25	7.5
CTV-100SK-10	100	100	1800	28	10
CTV-100SK-15	100	100	2080	32	15
CTV-100SK-20	100	100	2200	35	20

Model Description

CTV -- 40 -- SK -- 1 -- 5 -- P -- S4
 ① ② ③ ④ ⑤ ⑥ ⑦

- ① Model No : CTV
- ② Outlet and inlet diameter - female type: 25-1" ;40-1.5" ;50-2" ;65-2.5" ;80-3"
- ③ S.G: SK-1.1 ;SP-1.4
- ④ Horsepower: 1/2HP ;1HP ;2HP ;3HP ;5HP ;7.5HP ;10HP
- ⑤ Frequency: 5:50HZ ;6:60HZ
- ⑥ O-Ring: E-EPDM ;V-VITON ; P-PTFE
- ⑦ Pump body: S4-SUS304 ; S6-SUS316



- ① Inlet flange
- ② Inlet gasket
- ③ Outlet flange
- ④ Outlet gasket
- ⑤ Front cover
- ⑥ Cover O-ring
- ⑦ Impeller nut
- ⑧ Impeller
- ⑨ Pump body
- ⑩ Motor base
- ⑪ Motor



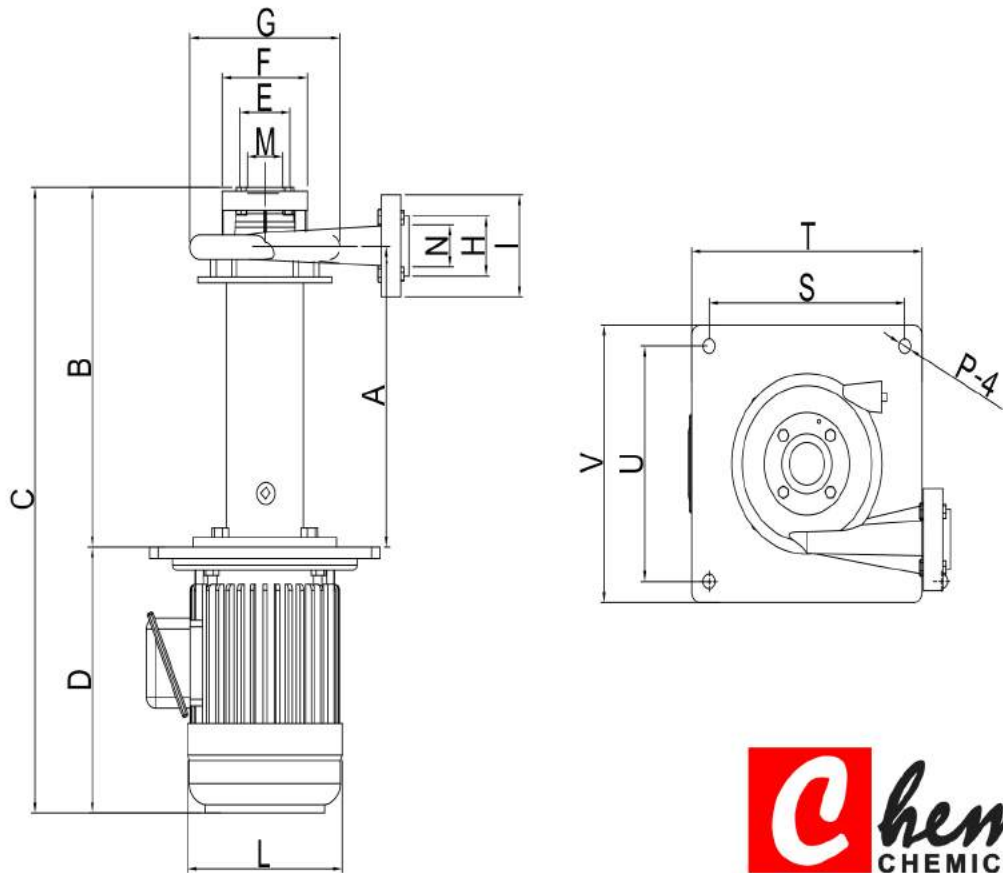
Product characteristics

1. It is made of 304 or 316 stainless steel by virtue of casting molding, with compact and firm structure.
2. The design of non-shaft seal, and it will not burn out because of idling.
3. It is suitable for all kinds of acid alkali solution and micro acid solution. It can be recycled and resistant to high temperature.
4. The pump has low noise and slight vibration.
5. The volume of the pump is small, which is suitable for the usage of the inside and outside design of tank.

Product superiority

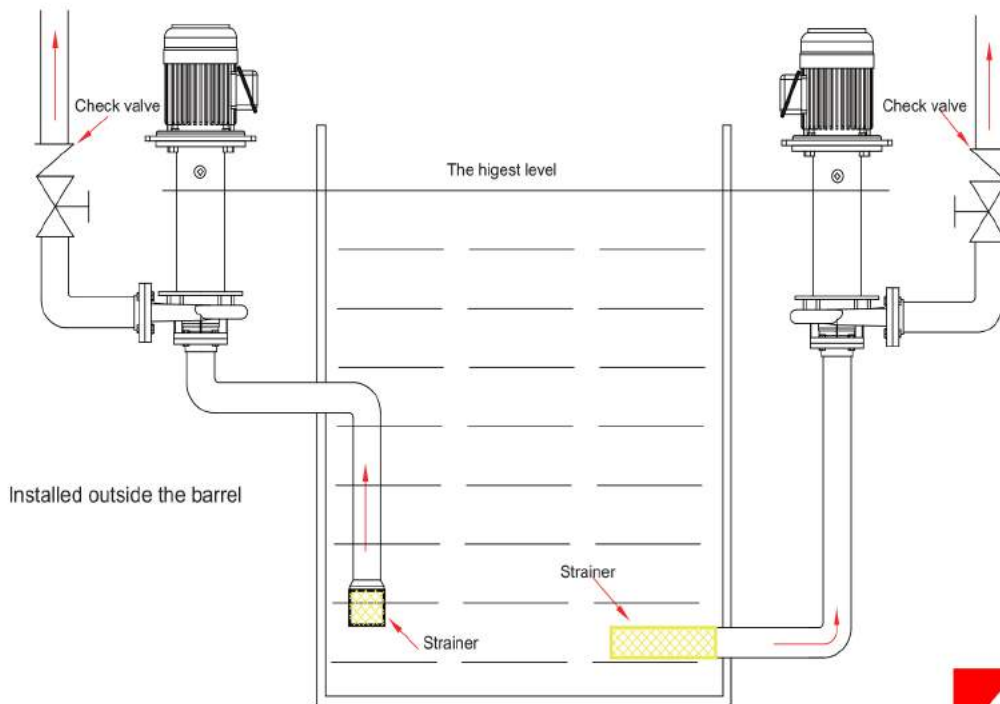
1. It is made of 304 or 316 stainless steel, with compact and firm structure. The interior and exterior appearance of the body is balanced and smooth.
2. The impeller has been corrected for dynamic balance, with low noise and low vibration rate;
3. The use of dry liquid seal can ensure that the motor and bearing are not corroded by chemical gas, so as to prolong the service life of the motor and pump;
4. It is equipped with high-end foreign brand motors, with high efficiency and low noise;
5. The pump shaft is integrated with motor and rotor to ensure the accuracy and stability of operation.

DIMENSION DRAWING



Model	Horse power HP	A	B	C	D	M	E	F	G	N	H	I	L	P	S	T	U	V
CTV-25SK-1/2	0.5	260	300	550	250	Ø25	Ø78	Ø93	150	Ø25	Ø78	Ø93	Ø162	15	148	210	180	230
CTV-25SK-1	1	260	300	665	265	Ø25	Ø78	Ø93	150	Ø25	Ø78	Ø93	Ø177	15	148	210	180	230
CTV-40SK-1	1	260	300	665	265	Ø40	Ø78	Ø93	150	Ø40	Ø78	Ø93	Ø177	15	148	210	180	230
CTV-40SK-2	2	335	390	725	335	Ø40	Ø97	Ø118	180	Ø40	Ø97	Ø118	Ø200	15	222	260	222	260
CTV-50SK-2	2	335	390	725	335	Ø50	Ø97	Ø118	180	Ø50	Ø97	Ø118	Ø200	15	222	260	222	260
CTV-50SK-3	3	335	390	725	335	Ø50	Ø97	Ø118	180	Ø50	Ø97	Ø118	Ø200	15	222	260	222	260
CTV-65SK-3	3	340	410	745	335	Ø65	Ø97	Ø150	200	Ø65	Ø97	Ø150	Ø200	15	222	260	222	260
CTV-65SK-5	5	340	410	795	385	Ø65	Ø122	Ø150	230	Ø65	Ø122	Ø150	Ø235	15	222	260	222	260
CTV-80SK-5	5	340	410	795	385	Ø80	Ø122	Ø150	230	Ø80	Ø122	Ø150	Ø235	15	222	260	222	260
CTV-80SK-7.5	7.5	360	440	735	395	Ø80	Ø122	Ø150	230	Ø80	Ø122	Ø150	Ø273	18	300	350	300	350
CTV-80SK-10	10	360	440	873	433	Ø80	Ø122	Ø150	230	Ø80	Ø122	Ø150	Ø273	18	300	350	300	350
CTV-100SK-7.5	7.5	400	500	895	395	Ø100	Ø180	Ø210	260	Ø100	Ø180	Ø210	Ø273	18	300	350	300	350
CTV-100SK-10	10	400	500	933	433	Ø100	Ø180	Ø210	260	Ø100	Ø180	Ø210	Ø273	18	300	350	300	350
CTV-100SK-15	15	400	500	1020	520	Ø100	Ø180	Ø210	260	Ø100	Ø180	Ø210	Ø334	18	300	350	300	350
CTV-100SK-20	20	400	500	1020	520	Ø100	Ø180	Ø210	260	Ø100	Ø180	Ø210	Ø334	18	300	350	300	350

INSTALLATION DIAGRAM



1. If it is used in chemical plant or environment with volatile gas, it is necessary to select the safe and explosion-proof Eg3 or D2g4 motor;
2. Filter screen shall be installed at the inlet pipe to prevent foreign matters from being inhaled, which may cause damage to the pump;
3. If the outlet pipe is higher than the motor, a check valve shall be installed at the highest point of the liquid level to prevent the motor from being damaged;
4. The mixing of different types of chemical solution may cause chemical reaction, even high heat, which may damage the pump. Therefore, do not use the same pump to transport different chemical solutions.

1. High cost performance:

Independent production, stable quality and controllable cost.

2. Excellent product performance:

Corrosion resistance, idling resistance, no leakage, low noise, high efficiency, surface corrosion resistance, durable.

3. Advanced product technology:

Cooperate with colleges and universities to carry out production, learning and research activities, master cutting-edge technology, and constantly make breakthroughs in the direction of low energy consumption and high efficiency. At present, the unique technology includes: 4P motor magnetic pump addresses the problem of rapid temperature rise of liquid medicine, and intelligent monitoring addresses the problem of idling.

4. Continuous upgrading of materials:

Imported CFRETFE material is resistant to strong acid, strong alkali and high temperature.

5. Rich product categories:

It can be upgraded to replace all kinds of old equipment.

6. Three to five year extended warranty:

Make customers free from worry and labor cost.

7. Professional and efficient service:

Before sales, a strong technical team can help customers select models accurately and reduce waste; after sales, tailor training programs for customers to reduce human losses; 4-hour quick response and efficient service!

8. Strong qualification:


Patented technology, CE, SGS quality certification of European Union, government designated supplier

9. Flexible cooperation mode:

Welcome OEM customization and regional agents.

10. Unique family culture:

Stable and happy team, long-term and reliable cooperation.



**Why
choose
Qihua?**



The enterprise has been engaged in independent research and development since 2012. At present, it has possessed ten utility model patents, one appearance patent and two CE certificates. In addition, it is applying for three utility model patents and two invention patents, and plans to apply for more than 20 kinds of patents.

PART OF OUR SUPPLIERS

Your contribution is indispensable to the high quality products of Qeehua



PART OF OUR CUSTOMERS

Think what the customer thinks, and be grateful to every customer

