



## (6)、CTH SERIES

CTH - 40 - SK - 1/2 - S - R - F

①            ②            ③            ④            ⑤            ⑥            ⑦

- ① Model No.: CTH
- ② Outlet diameter: 32-1-1/4"; 40-1-1/2 ; 50-2" ; 65-2-1/2"
- ③ S.G: SK-1.1 ; SP-1.4
- ④ Horsepower: 1/2-1/2HP ; 1-1HP ; 2-2HP ; 3-3HP ; 4-4HP ; 5.5-5.5HP ;
- ⑤ Shaft material: S-SUS316 T-Ti
- ⑥ Outlet direction: R- towards the right; L- towards the left
- ⑦ Pump material: F-FRPP ; P-P VDF

### Product characteristics

1. The main part is made of FRPP, PVDF by virtue of machine shaping;
2. Pump power ranges from 0.37kw to 7.5kw;
3. Idle operation will not damage the pump;
4. The pump body adopts a new sealing design, which can reduce the volume loss of the pump, so as to improve the operation efficiency;
5. It is suitable for various acid alkali liquid circulation, cooling, spray cleaning equipment, waste gas tower, etching machine, developer, film stripping machine, etc.;
6. When it is used in highly corrosive liquid environment, titanium alloy shaft can be used to enhance corrosion resistance and improve the service life of the pump.

### Pump superiority

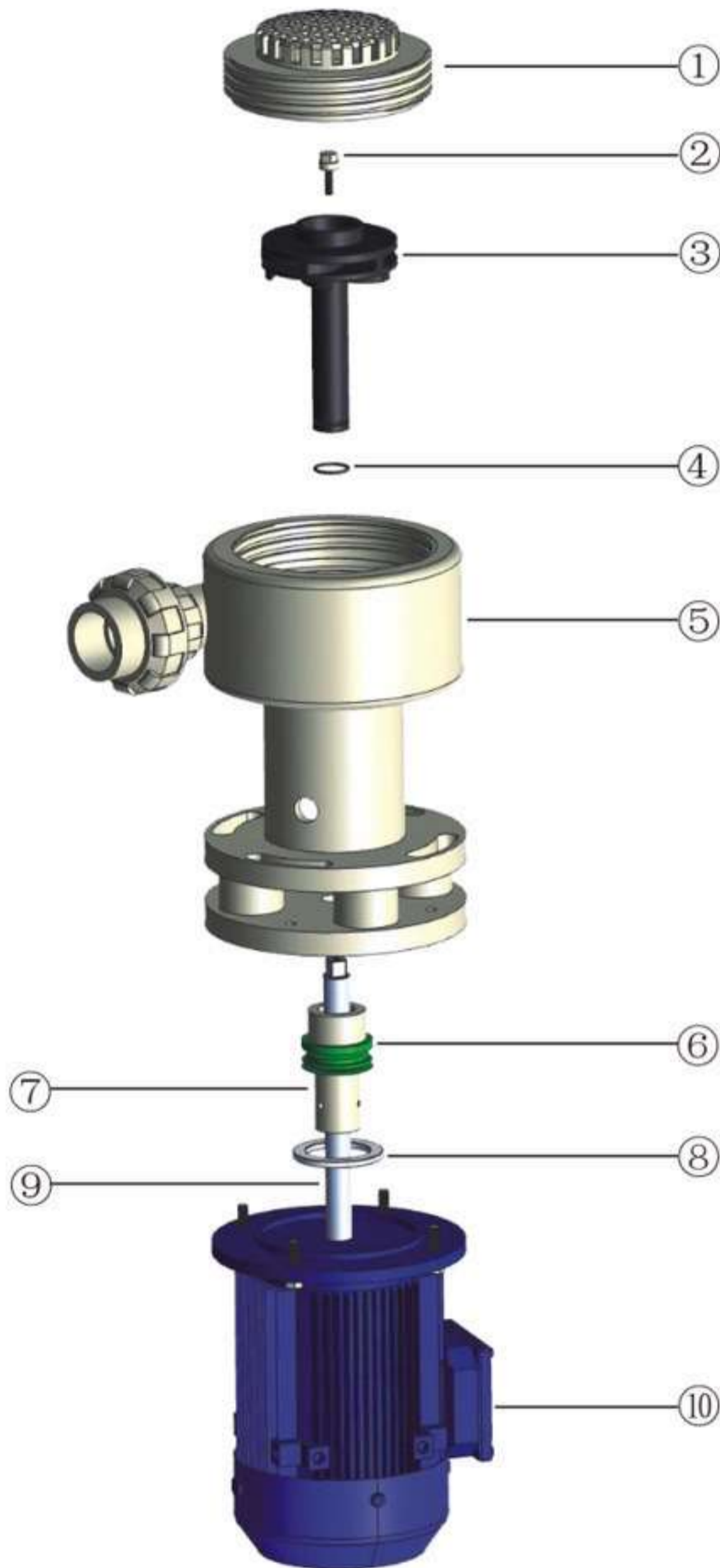
1. PVDF and FRPP materials are used, which is resistant to various corrosive liquids such as strong sulfuric acid, hydrochloric acid and sodium hydroxide, with high temperature resistance of 70°C-95°C, high pressure resistance and no cracking;
2. The pump head and the body are injection molded by virtue of mould, which is durable and corrosion-resistant, reducing the probability of leakage;
3. Filter device is installed at the inlet to prevent sundries from entering the pump and damaging the pump;
4. It is equipped with high-end foreign brand motors, with high efficiency and low noise;
5. The pump shaft is integrated with motor and rotor to ensure the accuracy and stability of operation.



## (6) Decomposition diagram of CTH series



**BOONSUNGNOEN PUMP&VALVE (THAILAND) CO.,LTD.**  
55/52 Moo.2, Ban Chang, Muang Pathumthani, Pathum Thani 12000  
Tel.02-581-1280(Auto.5Line.) Email : bsn.chemtai@gmail.com



- ① Front cover
- ② Impeller nut
- ③ Impeller
- ④ Impeller nut O-ring
- ⑤ Pump body
- ⑥ Vapor seal
- ⑦ Shaft core sleeve
- ⑧ Liquid seal ceramics
- ⑨ Motor shaft key
- ⑩ Motor

## (6)、CTH Series

Model	Pump power (HP)	Inlet (mm)	Outlet (mm)	Capacity (L/min)	Head (m)
CTH-40SK-1/2SRF	1/2	Ø50	Ø40	80	13
CTH-40SK-1SRF	1	Ø50	Ø40	100	15
CTH-40SK-2SRF	2	Ø50	Ø40	155	22.5
CTH-40SK-3SRF	3	Ø50	Ø40	250	26.5
CTH-40SK-4SRF	4	Ø50	Ø40	270	27
CTH-50SK-5.5SRF	5.5	Ø60	Ø50	275	29
CTH-50SK-7.5SRF	7.5	Ø60	Ø50	580	35
CTH-50SK-10SRF	10	Ø60	Ø50	650	38



**BOONSUNGNOEN PUMP&VALVE (THAILAND) CO.,LTD.**

55/52 Moo.2, Ban Chang, Muang Pathumthani, Pathum Thani 12000

Tel.02-581-1280(Auto.5Line.) Email : bsn.chemtai@gmail.com

